

SERVER®

• E S S E N T I A L S •

Mix-N-Serve™ Warmer/Mixer Specialty Warmer

SPECIFICATION SHEET

FAST FACTS

Keep clarified or drawn butter warm and blended in a compact, stainless steel dispenser; serves with spigot-style faucet.

APPLICATIONS

- Ideal for butter, hot chocolate and other thin foods or sauces that should be continuously stirred
- Transfer labor from the cook line to the wait station

DETAILS

- Temperature-controlled thermostat provides accurate heat control with locking design to prevent accidental changes
- New design provides operational efficiencies:
 - exposed lid speeds refills
 - stir bar and magnet assembly eliminates loss risk
 - hinged cover simplifies vessel access for cleaning
- Single switch controls heat and stir functions
- Magnetic agitator continuously stirs to suspend solids
- Stainless steel warmer and removable 5 1/2-qt food vessel



05578



Flavored clarified butter is trending – sauté, stir-fry or drizzle on the goodness with maple, garlic, ginger, chive, rosemary, and jalapeño flavors.

Grand View Research - Clarified Butter Report


Don't let food separation agitate you.

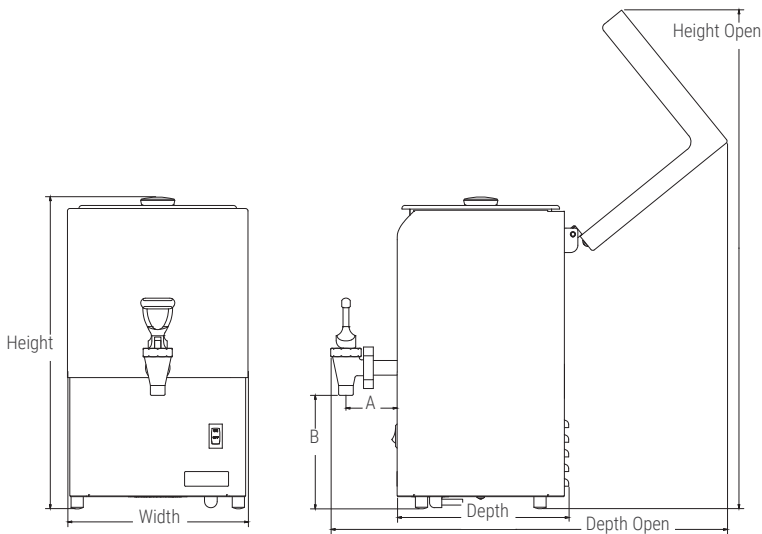
MIX-N-SERVE™ WARMER/MIXER & DISPENSER

Server Mix-N-Serve dispenser is constructed of a stainless steel exterior with a brushed finish and an ABS black plastic cover. An adjustable thermostat holds product up to 200°F and locks in place to prevent accidental changes. An ON/OFF rocker switch controls the 400 watt heating element and magnetic stir bar assembly. Includes a 5 1/2-qt stainless steel food vessel and is dispensed with a spigot-style faucet. NEMA 5-15P plug with 72-in power cord. 2-Year Warranty.



MIX-N-SERVE™

order amt	model/item	app	description	capacity	dims (H x W x D)	weight	dim a	dim b
<input type="checkbox"/>	MNS 05578	 HOT	Warmer/Mixer & Dispenser	5 1/2 qt vessel	15 15/16" x 9 1/4" x 8 13/16" 25 1/2" H x 20 5/16" D (open cover)	20 lb	2 5/8"	5 13/16"



MIX-N-SERVE STIRS UP PROFITS WITH STAND-OUT FLAVOR
 SERVER-PRODUCTS.COM | 1.800.558.8722