



COLD FOOD HOLDERS CHILLED SERVERS/HOLDERS

Models CSM & ECH

Date:

Project:

Quantity:

Item Number:



CSM 94000



ECH 94090



94013
Eutectic Ice Pack



94057
HOLDCOLD™ Jars



Except CSM & DICSM



All units are made in the USA

Bid Description

Insulated Cream Servers and Espresso Cream Holders are constructed of a stainless steel exterior and one-piece seamless plastic interior. Their compact design takes up only 8" (20.3 cm) of counter space.

The Cream Server and Espresso Cream Holder are available in (2) varieties; with a stainless steel jar and (2) round Eutectic Ice Packs or with (1) black and (1) white HoldCold™ jar. HoldCold™ jars will maintain serving temperature up to (12) hours, when used properly.

The countertop cream server features a stainless steel pump with a cast valve body and welded construction. Maximum stroke yields 1 ounce (30 mL). Supplied gauging collars reduce the yield in 1/8 ounce (3.7 mL) increments.

The ECH accepts a hose directly from an espresso machine into a hole in the lid.

Standard Features

- Stainless steel exterior and seamless plastic interior
- Includes a Stainless Steel Jar and (2) Eutectic Ice packs or (1) black and (1) white HoldCold™ jar for extended cooling time
- 1 oz (30 mL) maximum portion, now adjustable in 1/8 ounce (3.7 mL) increments — allows for Portion Optimization™
- Cream Holder conveniently works with your espresso machine

Accessory Items

- 3 quart (2.8 L) Stainless Steel Jar 94009
- Eutectic Ice Pack, Round 94013
- Kit, Round HOLDCOLD™ Jars, (1) white & (1) black 94057

Warranty

Server Products equipment is backed by a two-year limited warranty against defects in materials and workmanship. For a copy of our complete warranty statement, please refer to server-products.com.

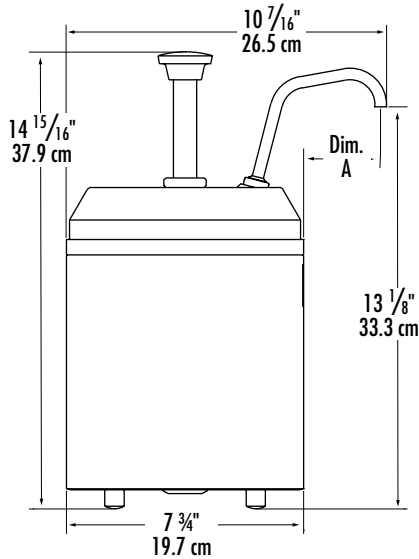
Specifications on reverse side



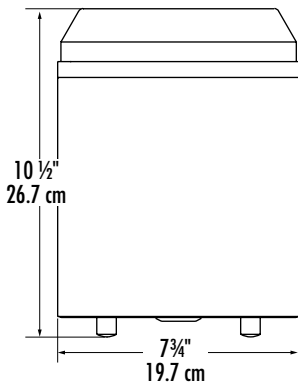
COLD FOOD HOLDERS CHILLED SERVERS/HOLDERS

Models CSM & ECH

Cream Servers (CSM)



Cream Holders (ECH)



Specifications

Construction | Stainless steel exterior, seamless plastic interior, and foamed-in-place insulation. Each includes (1) Stainless Steel Jar and (2) Eutectic Ice Packs.

Capacity | 3 quart (2.8 L) capacity

Models	CSM 94000	ECH 94090
Height	14 ¹⁵ / ₁₆ " 37.9 cm	10 ¹ / ₂ " 26.7 cm
Width	7 ³ / ₄ " 19.7 cm	7 ³ / ₄ " 19.7 cm
Depth	10 ⁷ / ₁₆ " 26.5 cm	7 ³ / ₄ " 19.7 cm
Dim. A	2 ¹ / ₂ " 6.4 cm	N/A
Weight	9 lb 4.1 kg	8 lb 3.6 kg

Construction | Stainless steel exterior, seamless plastic interior. Includes (1) black and (1) white HoldCold™ jar.

Capacity | 2 ³/₄ quart (2.6 L) capacity

Models	CSM 94113	ECH 94123
Height	14 ¹⁵ / ₁₆ " 37.9 cm	10 ¹ / ₂ " 26.7 cm
Width	7 ³ / ₄ " 19.7 cm	7 ³ / ₄ " 19.7 cm
Depth	10 ⁷ / ₁₆ " 26.5 cm	7 ³ / ₄ " 19.7 cm
Dim. A	2 ¹ / ₂ " 6.4 cm	N/A
Weight	14 lb 6.4 kg	11 lb 5.4 kg

FOB Richfield, Wisconsin 53076

CAD Library

Individual CAD images are available free of charge from our website. Our complete collection of CAD files, along with more than 100 other manufacturers, can be purchased through Kochman Consultants, Ltd. at kclcad.com.

