



FOOD WARMERS {FOOD SERVERS} SINGLE WELL

Models FS-4
FS-7, FS-11

Date:

Project:

Quantity:

Item Number:



FS-4 81000



FS-11 84100



US LISTED

ALSO AVAILABLE FOR EXPORT

Two Year Warranty

Server Products equipment is backed by a two-year limited warranty against defects in materials and workmanship. For a copy of our complete warranty statement, please refer to server-products.com.

Bid Description

The round series of water bath warmer/cookers is constructed of stainless steel with a polished finish. Inset and lid assemblies are included. The lid stays upright during ladling and features a rim that collects moisture and returns it to the food.

An adjustable precalibrated thermostat controls the heating element. Temperature settings marked on thermostat knob — range from 100° F (38° C) to 200° F (93° C) on FS-4. FS-7 and FS-11 range from 60° F (16° C) to 200° F (93° C).

FS-4 has a 4 quart (3.8 L) capacity with 500 watts. Power is controlled with an ON/OFF rocker switch.

FS-7 has a 7 quart (6.6 L) capacity with 1000 watts. FS-11 has an 11 quart (10.4) capacity with 1500 watts. Power is controlled with a positive ON/OFF thermostat for both the FS-7 and FS-11.

Standard Features

- NSF-certified as a rethermalization unit
- Water fill line eliminates overflow accidents
- Adjustable thermostat for accurate heat control
- Temperature marks on knob with protective knob guard
- Inside lid rim returns moisture to the food to retain flavor
- Hinged lid stays upright during ladling for easy use
- Handle on FS-7 & FS-11 assists in opening larger lids ergonomically—no more reaching over hot zone

Accessory Items

- 4 qt (3.8 L) Inset & Lid Assembly 81050
- 7 qt (6.6 L) Inset & Lid Assembly 84040
- 11 qt (10.4 L) Inset & Lid Assembly 84149
- 2 oz (59 mL) Ladle 82660
- 4 oz (118 mL) Ladle 82574
- 6 oz (177 mL) Ladle 82661
- 8 oz (237 mL) Ladle 82662

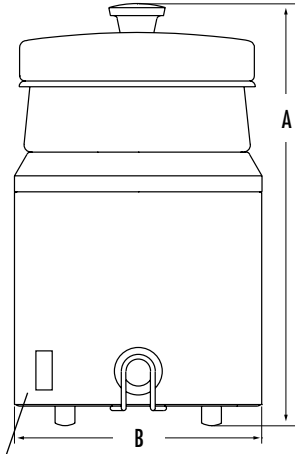
Specifications on reverse side



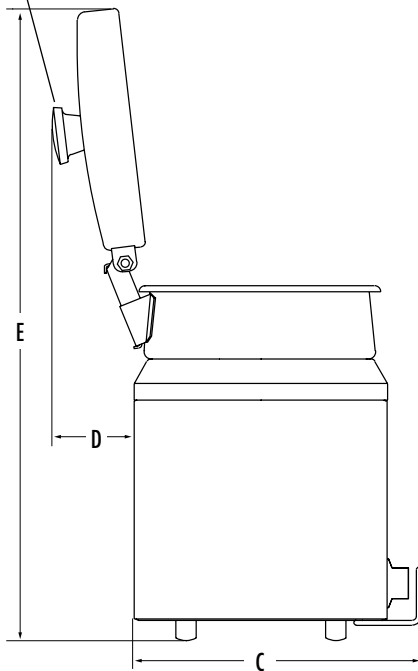
FOOD WARMERS {FOOD SERVERS} SINGLE WELL

Models FS-4,
FS-7, FS-11

Food Server/Cooker Series



Note: ON/OFF switch and lid knob is on FS-4 only.



Specifications

Construction	Stainless steel units with a polished finish. Includes exclusive inset and lid assembly.		
Electrical	120V, 60Hz, 72" (183 cm) cord set NEMA 5-15P, 15A, 125V PLUG		

Models	FS-4 81000	FS-7 84000	FS-11 84100
Capacity	4 qt 3.8 L	7 qt 6.6 L	11 qt 10.4 L
A-Height	13 ⁵ / ₁₆ " 33.8 cm	14 ³ / ₁₆ " 36 cm	14 ¹ / ₄ " 36.1 cm
B-Width	7 ³ / ₄ " 19.7 cm	9 ⁹ / ₁₆ " 24.3 cm	11 ⁹ / ₁₆ " 29.4 cm
C-Depth	18 ¹³ / ₁₆ " 22.4 cm	11" 27.9 cm	13" 33 cm
D-Depth	2 ¹ / ₂ " 6.4 cm	2 ³ / ₁₆ " 5.6 cm	2 ³ / ₁₆ " 5.6 cm
E-Height	19 ³ / ₈ " 49.2 cm	22 ⁹ / ₁₆ " 57.3 cm	24 ⁹ / ₁₆ " 62.4 cm
Electrical	500 W 4.1 A	1000 W 8.3 A	1500 W 12.5 A
Weight	9 lb 4.1 kg	13 lb 5.9 kg	16 lb 7.3 kg

FOB Richfield, Wisconsin 53076

NSF Listed as a rethermalization unit to ensure food is quickly heated to a safe temperature before bacteria has an opportunity to grow.

CAD Library

Individual CAD images can be downloaded from our website. We are also a member of The KCL CADalog with more than 100 other manufacturers. Our complete collection of CAD files can be purchased through Kochman Consultants, Ltd. at kclcad.com.

