



# FOOD WARMERS {FOOD SERVERS} Model SY 1.5 SYRUP SERVERS SY

Date:

Project:

Quantity:

Item Number:



**SY 1.5 85480**



## Bid Description

The Syrup Warmer/Server is constructed of stainless steel with a brushed #4 finish. Traditional faucet style spigot is black plastic. The compact design takes up a minimal amount of countertop space. Capacity is 1½ gallons (5.7 L). Also available in a 3 gallon (11.3 L) model SY 84190.

An adjustable thermostat controls a 350 watt heating element precalibrated at 140° F (60° C). Thermostat lock prevents accidental changes. Power is controlled with a lighted ON/OFF rocker switch.

## Standard Features

- All stainless steel construction for durability
- Holds 1½ gallons (5.7 L) in a compact countertop design
- Precalibrated thermostat for accurate heat control
- Adjustable thermostat keeps syrup hot and ready to serve all day—great for hot cider too!
- Thermostat lock prevents accidental changes

## Two Year Warranty

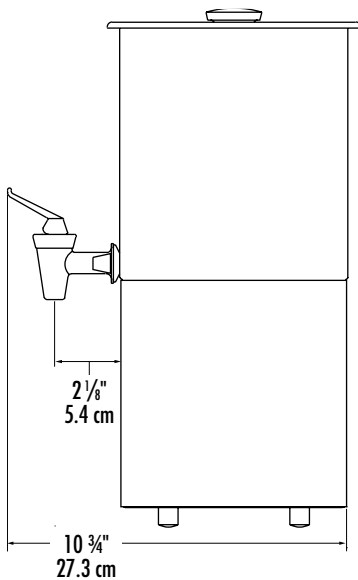
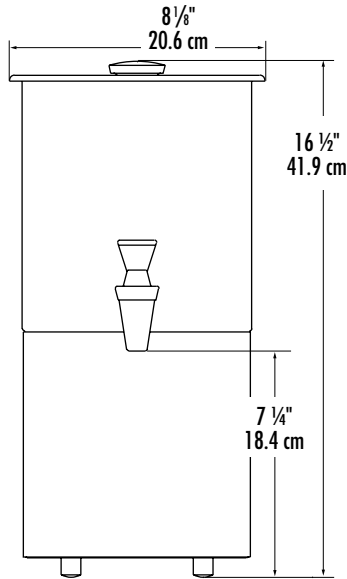
Server Products equipment is backed by a two-year limited warranty against defects in materials and workmanship. For a copy of our complete warranty statement, please refer to [server-products.com](http://server-products.com).



# FOOD WARMERS {FOOD SERVERS} SYRUP SERVERS

Model SY 1.5 SY

## Syrup Server SY 85480



## Specifications

Model	SY 1.5 85480		
Construction	Stainless steel with a brushed #4 finish. Product vessel and lift-off lid are also stainless steel. Black plastic faucet.		
Capacity	1 1/2 gallon (5.7 L)		
Dimensions	<u>Height</u>	<u>Width</u>	<u>Depth</u>
	in	8 1/8	10 3/4
	cm	20.6	27.3
Electrical	120V, 60Hz, 350W, 2.9A 72 in (183 cm) cord set NEMA 5-15P, 15A, 125V PLUG		
Weight	8 lb (3.6 kg)		
Model	SY 84190		
	Same as above except:		
Capacity	3 gallon (11.3 L)		
Dimensions	<u>Height</u>	<u>Width</u>	<u>Depth</u>
	in	9 7/8	12 5/8
	cm	25.1	32.1
Weight	10 lb (4.5 kg)		

FOB Richfield, Wisconsin 53076

## CAD Library

Individual CAD images can be downloaded from our website. We are also a member of The KCL CADalog with more than 100 other manufacturers. Our complete collection of CAD files can be purchased through Kochman Consultants, Ltd. at [kclcad.com](http://kclcad.com).

