



# COLD FOOD HOLDERS INSULATED BAR, LADLE COMBOS

Models **SB-2, SB-2 DI**  
**SB-3, SB-3 DI**  
**SB-4, SB-4 DI**

Date:

Project:

Quantity:

Item Number:



**SB-2 DI 79990**

### Bid Description

Insulated serving bars are constructed of a stainless steel exterior with a one-piece seamless plastic interior. Serving Bars can be cooled with ice, (1) Eutectic Ice Pack (94141) per jar or use our deep fountain HOLDCOLD™ jars (not included).

Combination models come complete with multiples of: shallow plastic fountain jars (82558), hinged lids (82545) and 1 ounce (30 mL) ladles (82562). Choose from countertop or drop-in models.



**SB-3 DI 80520**

### Standard Features

- Stainless steel exterior, seamless plastic interior and insulation
- Stainless steel hinged lid attaches to lid in a snap
- Ladle slot in fountain jar allows lid to close completely
- Colored, engraved knobs are available upon request (contact customer service for options)

### Bar Combos with Ladles

<u>Includes</u>	<u>Countertop</u>	<u>Drop-In</u>
(2) jars	SB-2 79930	SB-2 DI 79990
(3) jars	SB-3 80510	SB-3 DI 80520
(4) jars	SB-4 80540	SB-4 DI 80530



**SB-4 80540**

### Accessory Items

- Fountain Jar, Plastic, 7 1/2" (19 cm) 82558
- Fountain Jar, Plastic, 10" (25.4 cm) 82557
- Ladle, 7" (17.8 cm) Handle 82562
- Ladle, 10" (25.4 cm) Handle 82561



### Two Year Warranty

Server Products equipment is backed by a two-year limited warranty against defects in materials and workmanship. For our complete warranty statement, see our website or contact us.

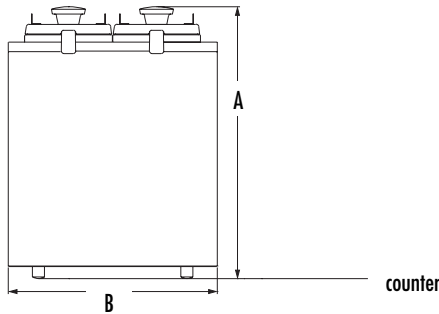
Specifications on reverse side



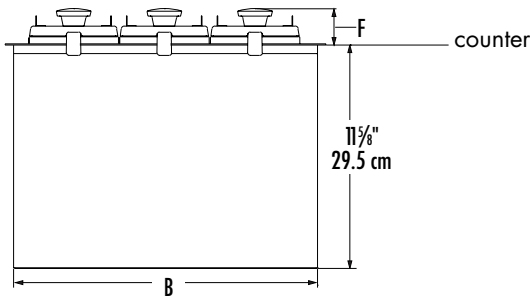
# COLD FOOD HOLDERS INSULATED BAR, LADLE COMBOS

Models **SB-2, SB-2 DI**  
**SB-3, SB-3 DI**  
**SB-4, SB-4 DI**

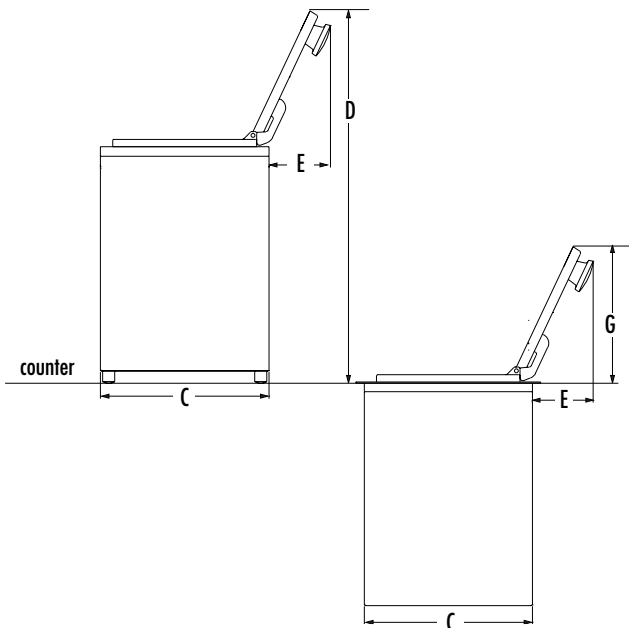
## Serving Bar—Countertop



## Serving Bar—Drop-In



## Serving Bar—Countertop & Drop-in



## Specifications

Construction	Stainless steel exterior, seamless plastic interior, and insulation.		
Jar Capacity	Shallow	Deep	HOLDCOLD™
	2 qt 1.9 L	3 1/2 qt 3.3 L	2 1/4 qt 2.1 L
<b>Countertop</b>	<b>(2) Jar</b>	<b>(3) Jar</b>	<b>(4) Jar</b>
A-Height	14 1/8" 35.9 cm	14 1/8" 35.9 cm	14 1/8" 35.9 cm
D-Open (Height)	19 3/8" 49.2 cm	19 3/8" 49.2 cm	19 3/8" 49.2 cm
E-Lid (Depth)	3 3/16" 8.1 cm	3 3/16" 8.1 cm	3 3/16" 8.1 cm
<b>Drop-In</b>	<b>(2) Jar</b>	<b>(3) Jar</b>	<b>(4) Jar</b>
F-Height	1 7/8" 4.8 cm	1 7/8" 4.8 cm	1 7/8" 4.8 cm
G-Open (Height)	7 1/8" 18.1 cm	7 1/8" 18.1 cm	7 1/8" 18.1 cm
E-Lid (Depth)	3 3/16" 8.1 cm	3 3/16" 8.1 cm	3 3/16" 8.1 cm
Cutout Size			
SB-2 DI	11 x 8 7/8" (27.9 x 22.5 cm)		
SB-3 DI	15 5/8 x 8 7/8" (39.7 x 22.5 cm)		
SB-4 DI	20 1/4 x 8 7/8" (51.4 x 22.5 cm)		
<b>Both Styles</b>	<b>(2) Jar</b>	<b>(3) Jar</b>	<b>(4) Jar</b>
B-Width	10 7/8" 27.6 cm	15 1/2" 39.4 cm	20 1/8" 51.1 cm
C-Depth	18 13/16" 22.4 cm	18 13/16" 22.4 cm	18 13/16" 22.4 cm

FOB Richfield, Wisconsin 53076

## CAD Library

Individual CAD images can be downloaded from our website. We are also a member of The KCL CADalog with more than 100 other manufacturers. Our complete collection of CAD files can be purchased through Kochman Consultants, Ltd. at [kclcad.com](http://kclcad.com).

