



# PUMPS {POUCHED PRODUCTS} SERVER EXPRESS™ STANDS

Models **SS-1SE**  
**SS-2SE**

Date:

Project:

Quantity:

Item Number:



**SS-1SE 67760**



**SS-2SE 07300**



## CAD Library

Individual CAD images are available free of charge from our website. Our complete set of CAD files, can be purchased through Kochman Consultants, Ltd. at [kclcad.com](http://kclcad.com).

## Bid Description

The Server Express Stands have a stainless steel base with a brushed (#4) finish to reduce the visibility of fingerprints. Each are furnished with the Server Express™ Dispensing System—a surgical-quality plastic pump in a black, thermoset polyester vessel with stainless steel lid.

Each Express™ System dispenses from a 1½ gallon (or 6 L) Cryovac® pouch with 16 mm fitment. A maximum™ portion of 1 ounce (30 mL) can be reduced in ¼ ounce (7 mL) increments.

Single and Twin Express™ Stands include the Express System SE SINGLE 07000 that sets in a stainless steel shroud.

## Standard Features

- Stainless steel base with brushed (#4) finish to reduce the visibility of fingerprints
- Dispense ketchup, mustard and mayonnaise from a 1½ gallon (or 6 L) Cryovac® pouch with 16 mm fitment
- Express pump is constructed of surgical-quality plastic parts—quick to breakdown and completely dishwasher safe
- ADA compliant, at ½ oz and ¼ oz portions, requiring less than 5 lbs of pressure to dispense
- 1 oz (30 mL) portion; adjustable in ¼ oz (7 mL) increments

## Accessory Items

- Duckbill Discharge Fitting 07454
- Express™ Pump (only) 07537
- ½-size steam table pan, 6" (15.2 cm) deep 90089

## Two Year Warranty

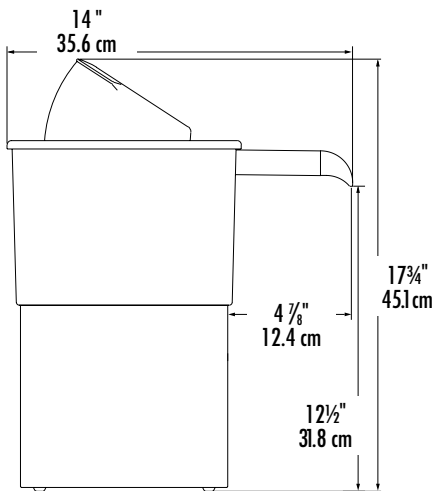
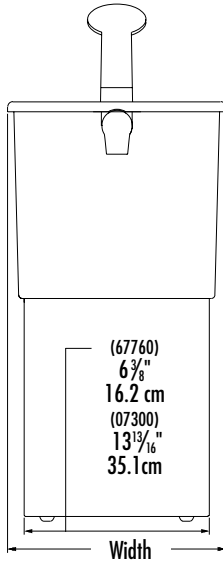
Server Products equipment is backed by a two-year limited warranty against defects in materials and workmanship. For our complete warranty statement, please see our website.



# PUMPS {POUCHED PRODUCTS} SERVER EXPRESS™ STANDS

Models **SS-1SE**  
**SS-2SE**

## Single & Twin Stand Models



## Specifications

Construction	Stainless steel base with brushed finish. Includes surgical quality plastic pump and black polyester vessel. Pump vessel lid is polished stainless steel.	
Capacity	Each pump vessel holds a 1 1/2 gallon (6 L) Cryovac® pouch with 16 mm fitment.	

Pump Key		
Model	SS-1SE 67760	SS-2SE 07300
Height	17 3/4" 45.1 cm	17 3/4" 45.1 cm
Width	7 1/2" 19.1 cm	14 15/16" 37.9 cm
Depth	14" 35.6 cm	14" 35.6 cm
Weight	10 lb 4.5 kg	17 lb 7.7 kg

THIN THICK PARTICULATE  
See category tab for details.

FOB Richfield, Wisconsin 53076

