



COLD FOOD HOLDERS INSULATED RELISH SERVERS

Models IRS-1
IRS-2, IRS-2DI
IRS-3, IRS-3DI

Date:

Project:

Quantity:

Item Number:



IRS-1 67860

Bid Description

Insulated relish servers are constructed of stainless steel with a brushed (#4) finish. Acrylic hinged lid has stay-open and self-close design to cover and protect the contents. IRS models are insulated and accept ice or Eutectic Ice Packs (94013), to keep contents cool. The IRS-3 and IRS-3DI accept (3) 1/6-size pans, up to 6" (15.2 cm) deep and (3) Eutectic Ice Packs. IRS-2 and IRS-2DI accept (2) 1/6-size pans and (2) Eutectic Ice Packs. Pans and Eutectic Ice Packs are not included.

The single pan model IRS-1 holds a 1/6-size pan, up to 6" (15.2 cm) deep. The insulated shroud can be chilled with a 1/6-size HOLD-COLD™ Pan, Eutectic Ice Pack (94013) or ice, to keep your items cool. A side-mounted hook helps keep 6" (15.2 cm) tongs handy and sanitary. Pan, Eutectic Ice Pack and 6" (15.2 cm) tongs are not included.



IRS-2DI 67780 (drop-in)

Standard Features

- Durable, stainless steel construction with a brushed finish
- Clear lids cover and protect product while showing it off
- Chill with ice or use Eutectic Ice Pack (94013) (not incl.)
- Lids have versatile stay-open & self-close design



IRS-3 67080

Accessory Items

Pans, up to 6" (15.2 cm) deep, can be mixed and matched. Both IRS-3 models accept (3) 1/6-size or (1) 1/6-size & (3) 1/9-size pans. Both IRS-2 models accept (2) 1/6-size or (3) 1/9-size pans. IRS-1 accepts (1) 1/6-size pan.

- 1/6-size, 6" (15.2 cm) deep pan 90089
- 1/6-size, 4" (10.2 cm) deep pan 90088
- 1/9-size, 4" (10.2 cm) deep pan 90106



Two Year Warranty

Server Products equipment is backed by a two-year limited warranty against defects in materials and workmanship. For a copy of our complete warranty statement, please refer to server-products.com.

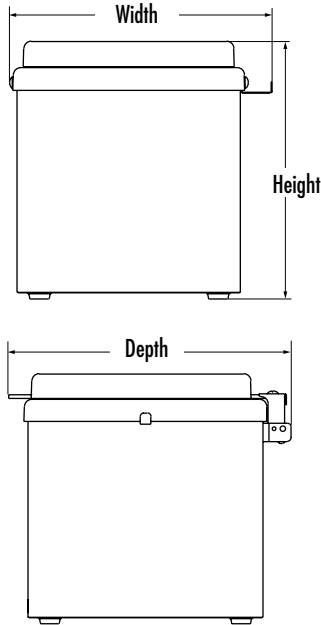
Specifications on reverse side



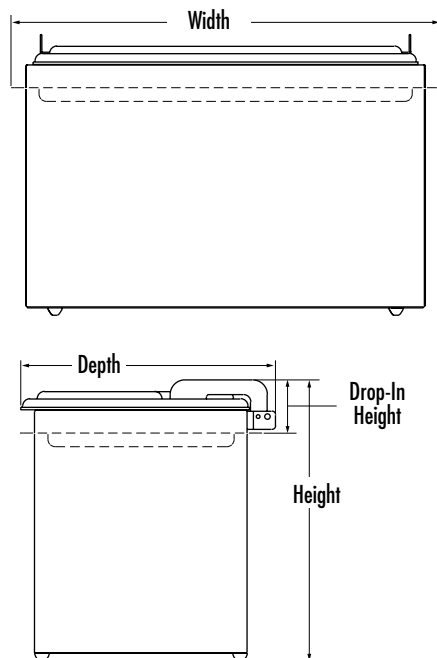
COLD FOOD HOLDERS INSULATED RELISH SERVERS

Models IRS-1
IRS-2, IRS-2DI
IRS-3, IRS-3DI

Insulated Relish Server IRS-1 67860



Countertop & Drop-In 2 & 3 Pan



Specifications

Construction	Stainless steel with a brushed (#4) finish. Acrylic hinged lid.				
Pan Capacity (not included)	1/6-size, 6" (15.2 cm) deep: 2.7 qt (2.6 l)				
Models	IRS-1 67860	IRS-2 67770	IRS-2DI 67780	IRS-3 67080	IRS-3DI 67160
Height	8 5/8" 21.9 cm	9 9/16" 24.3 cm	1 7/8" 4.8 cm	9 9/16" 24.3 cm	1 7/8" 4.8 cm
Height (Lid Open)	15 7/8" 40.3 cm	16 3/8" 41.6 cm	8 5/8" 21.9 cm	16 3/8" 41.6 cm	8 5/8" 21.9 cm
Width	8 3/16" 22.4 cm	13 5/8" 34.6 cm	14 5/8" 37.1 cm	20" 50.8 cm	21" 53.3 cm
Depth	9 3/4" 24.8 cm	8 11/16" 22.1 cm	8 11/16" 22.1 cm	8 11/16" 22.1 cm	8 11/16" 22.1 cm
Weight	5 lb 2.7 kg	10 lb 4.5 kg	10 lb 4.5 kg	12 lb 5.4 kg	12 lb 5.4 kg
	Cutout Size:				
IRS2-DI	13 3/4" x 7 3/8" (35 cm x 18.7 cm)				
IRS3-DI	20 1/8" x 7 3/8" (51.1 cm x 18.7 cm)				

FOB Richfield, Wisconsin 53076

CAD Library

Individual CAD images can be downloaded from our website. We are also a member of The KCL CADalog with more than 100 other manufacturers. Our complete collection of CAD files can be purchased through Kochman Consultants, Ltd. at kclcad.com.

