



# FOOD WARMERS {HOT TOPPING} SINGLE WELL WARMERS, ROUND

Models FS, FSP  
SBW

Date:

Project:

Quantity:

Item Number:



**FS 82500**

## Bid Description

All stainless steel construction with a polished finish. An adjustable, precalibrated thermostat controls the 500 watt heating element. Temperature settings are marked on thermostat knob. Power is controlled with an ON/OFF rocker switch.

FS & FSP water bath models dispense from a stainless steel jar (94009) or #10 can (not included). SBW includes (3) 16 oz (.47 L) bottles.

FS comes complete with lift-off lid and 1 oz (30 mL), 10" (25.4 cm) ladle (82561).

The FSP features a stainless steel pump with rugged cast valve body and welded construction. Maximum stroke yields 1 oz (30 mL) with gauging collars to reduce yield in 1/8 oz (3.7 mL) increments.

The SBW, Signature Touch™ is an FS base with a drop-in bottle holder and (3) 16 oz (.47 L) high-density squeeze bottles. This model safely heats your platescaping toppings.



**FSP 82060**

## Standard Features

- Pump on FSP is designed to prevent loss of valve balls with a 1 oz (30 mL) stroke, adjustable in 1/8 ounce (3.7 mL) increments — allows for Portion Optimization™
- 500 watt heating element for reliable heating and holding
- Adjustable precalibrated thermostat for accurate heat control
- FS & FSP models dispense from Stainless Steel Jar or #10 can
- SBW squeeze bottle model provides safe heating while keeping your toppings handy for platescaping
- Signature Touch™ (SBW) includes (3) 16 oz (.47 L) squeeze bottles



**SBW 86810  
Signature Touch™**

## Accessory Items

- 3 qt (2.8 L) Stainless Steel Jar 94009
- Stainless Steel Jar Storage Lid 94008
- Squeeze Bottle, 16 oz (.47 L) 86809



ALSO AVAILABLE FOR EXPORT

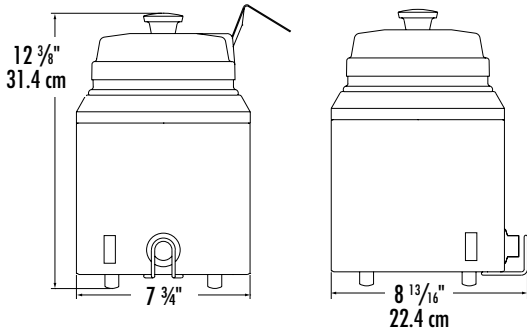
Specifications on reverse side



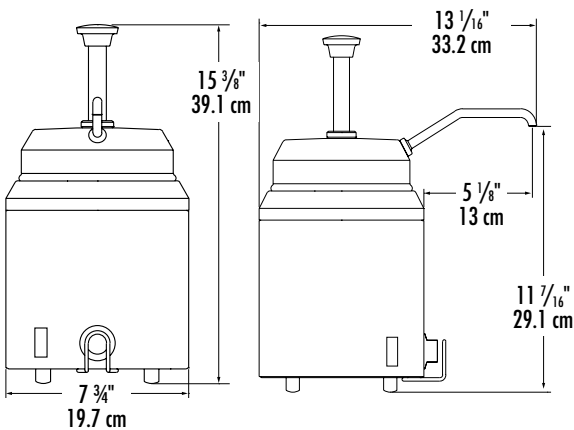
# FOOD WARMERS {HOT TOPPING} SINGLE WELL WARMERS, ROUND

Models FS, FSP  
SBW

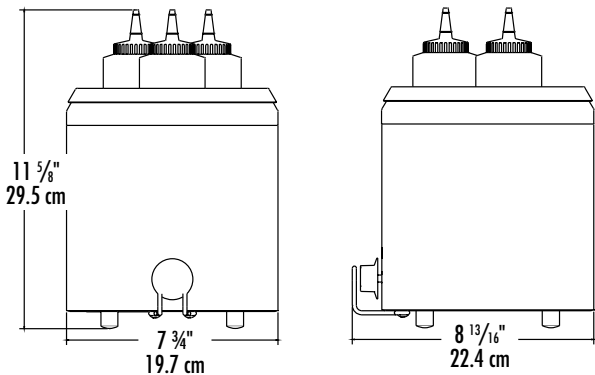
## Fudge Server FS 82500



## Fudge Server with Pump FSP 82060



## Signature Touch™ Topping Warmer



## Specifications

**Construction** All stainless steel with a polished finish. FS includes lift-off lid with ladle; FSP is with stainless steel pump; SBW includes drop-in bottle holder with (3) squeeze bottles.

**Electrical** 120V, 60Hz, 500W, 4.2A 72" (183 cm) cord set NEMA 5-15P, 15A, 125V PLUG

Models	FS 82500	FSP 82060	SBW 86810
Height	12 3/8" 31.4 cm	15 3/8" 39.1 cm	11 5/8" 29.5 cm
Width	7 3/4" 19.7 cm	7 3/4" 19.7 cm	7 3/4" 19.7 cm
Depth	8 13/16" 22.4 cm	13 1/16" 33.2 cm	8 13/16" 22.4 cm
Capacity	3 qt 2.8 L	3 qt 2.8 L	48 oz 1.4 L
Weight	8 lb 3.6 kg	9 lb 4.1 kg	8 lb 3.6 kg

FOB Richfield, Wisconsin 53076

NSF Listed as a rethermalization unit to ensure food is quickly heated to a safe temperature before bacteria has an opportunity to grow.

## CAD Library

Individual CAD images can be downloaded from our website. We are also a member of The KCL CADalog with more than 100 other manufacturers. Our complete collection of CAD files can be purchased through Kochman Consultants, Ltd. at [kclcad.com](http://kclcad.com).

## Two Year Warranty

Server Products equipment is backed by a two-year limited warranty against defects in materials and workmanship. For our complete warranty statement, please refer to [server-products.com](http://server-products.com).

