



FOOD WARMERS {FOOD SERVERS} SINGLE WELL

Model FS-2

Date:

Project:

Quantity:

Item Number:



c



US LISTED

ALSO AVAILABLE FOR EXPORT

Bid Description

All stainless steel construction with a polished finish. The FS-2 comes complete with an exclusive 1 ½ quart (1.4 L) bowl (82707), 1 ounce (30 mL) ladle (82717) and lift-off lid.

The adjustable, precalibrated thermostat controls a 250 watt heating element. Temperature settings are marked on the thermostat knob. Power is controlled with an ON/OFF rocker switch.

Standard Features

- All stainless steel construction for durability
- Lift-off lid is shaped to cover ladle (opening) and protect product
- Water fill line eliminates overflow accidents
- 250 watt heating element for reliable heating and holding
- NSF-certified as a rethermalization unit
- Adjustable precalibrated thermostat for accurate heat control
- Temperature marks on knob with protective knob guard
- Exclusive 1 ½ qt (1.4 L) stainless steel bowl
- 1 oz (30 mL) ladle to serve product

Accessory Items

- 1 ½ qt (1.4 L) Stainless Steel Bowl 82707
- 1 oz (30 mL) 4" (10.2 cm) Ladle 82717

Two Year Warranty

Server Products equipment is backed by a two-year limited warranty against defects in materials and workmanship. For our complete warranty statement, please refer to server-products.com.

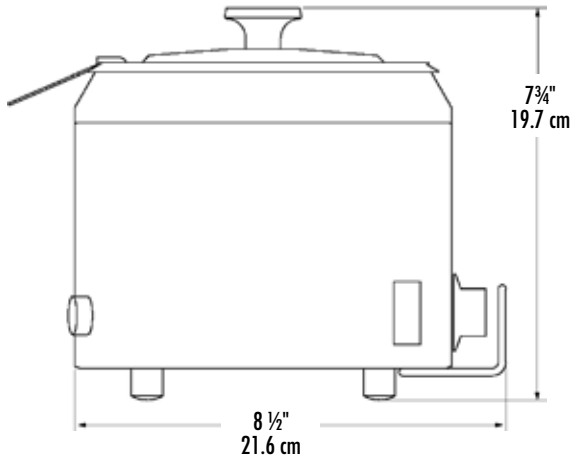
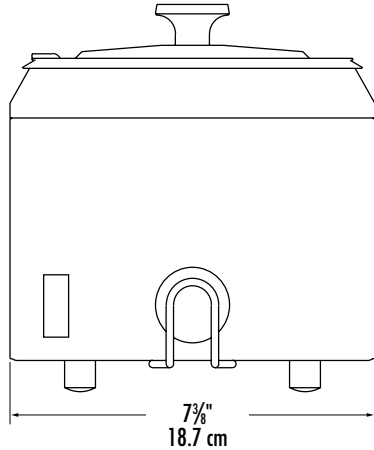
Specifications on reverse side



FOOD WARMERS {FOOD SERVERS} SINGLE WELL

Model FS-2

Food Server/Cooker FS-2 82700



Specifications

Model	FS-2 82700												
Construction	All stainless steel with a polished finish. Complete with 1 1/2 qt (1.4 L) bowl, 1 oz (30 ml) 4" (10.2 cm) ladle and lift-off lid.												
Capacity	1 1/2 quart (1.4 L) capacity												
Dimensions	<table border="1"> <thead> <tr> <th></th> <th>Height</th> <th>Width</th> <th>Depth</th> </tr> </thead> <tbody> <tr> <td>in</td> <td>7 3/4</td> <td>7 3/8</td> <td>8 1/2</td> </tr> <tr> <td>cm</td> <td>19.7</td> <td>18.7</td> <td>21.6</td> </tr> </tbody> </table>		Height	Width	Depth	in	7 3/4	7 3/8	8 1/2	cm	19.7	18.7	21.6
	Height	Width	Depth										
in	7 3/4	7 3/8	8 1/2										
cm	19.7	18.7	21.6										
Electrical	120V, 60Hz, 250W, 2.1A 72 in (183 cm) cord set NEMA 5-15P, 15A, 125V PLUG												
Weight	6 lb (2.7 kg)												

FOB Richfield, Wisconsin 53076

NSF Listed as a rethermalization unit to ensure food is quickly heated to a safe temperature before bacteria has an opportunity to grow.

CAD Library

Individual CAD images can be downloaded from our website. We are also a member of The KCL CADalog with more than 100 other manufacturers. Our complete collection of CAD files can be purchased through Kochman Consultants, Ltd. at kclcad.com.

