



TOPPING STATIONS COUNTERTOP ORGANIZERS

Models CO-4
CO-7, PPO-3
PPO-5

Date:

Project:

Quantity:

Item Number:



CO-4 85120

CO-7 85130

Bid Description

Designed with Euro styling, Server countertop organizers have rounded corners and are constructed with brushed finish (#4) stainless steel and black ABS plastic.

Countertop organizers CO-4 and CO-7 have a slanted design for easier viewing and access to product in the back. Each open style unit is divided with bins approximately 3" (7.6 cm) deep. CO-4 has (4) rectangular bins of equal size. CO-7 has (5) rectangular bins of equal size and (2) vertical bins large enough to store straws up to 8" (20.3 cm) long.

Portion Pack Organizer, PPO-3 and PPO-5 are top loading and channel portion packs forward to replenish supply. ABS plastic dividers separate unit into equal compartments.



PPO-3 85090

Standard Features

- Euro style with stainless steel and black plastic construction
- Brushed finish stainless steel reduces visibility of fingerprints
- Slanted, open style models organize & allow for easy access
- PPO-3 & PPO-5 channel portion packs forward replenishing supply



PPO-5 85140

Two Year Warranty

Server Products equipment is backed by a two-year limited warranty against defects in materials and workmanship. For a copy of our complete warranty statement, please refer to server-products.com.

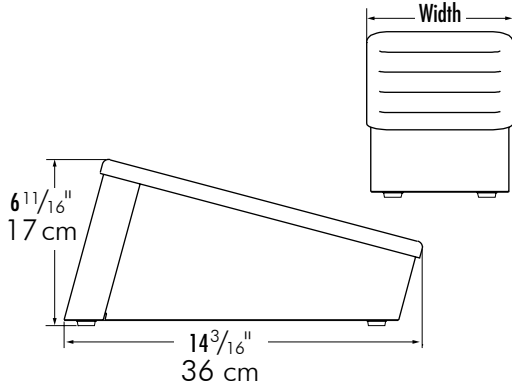




TOPPING STATIONS COUNTERTOP ORGANIZERS

Models CO-4
CO-7, CO-M
PPO-5

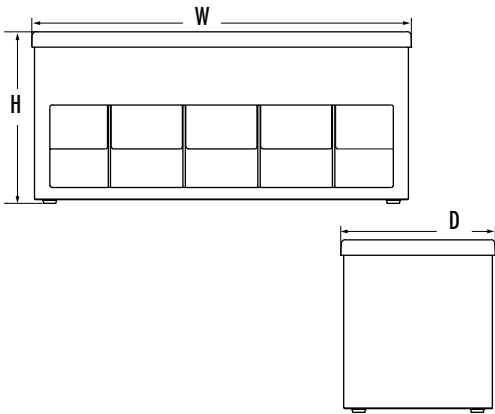
Countertop Organizers



Specifications

Construction	Stainless steel with a brushed (#4) finish and black ABS plastic.			
Models	CO-4 85120	CO-7 85130	PPO-3 85090	PPO-5 85140
Height	6 ¹¹ / ₁₆ " 17 cm	6 ¹¹ / ₁₆ " 17 cm	9 ³ / ₈ " 23.8 cm	9 ³ / ₈ " 23.8 cm
Width	5 ³ / ₄ " 14.6 cm	10 ⁷ / ₈ " 27.6 cm	12 ⁵ / ₁₆ " 31.3 cm	20 ⁵ / ₁₆ " 51.6 cm
Depth	14 ³ / ₁₆ " 36 cm	14 ³ / ₁₆ " 36 cm	8 ⁵ / ₁₆ " 21.1 cm	8 ⁵ / ₁₆ " 21.1 cm
Weight	5 lb 2.3 kg	7 lb 3.2 kg	7 lb 3.2 kg	12 lb 5.4 kg

Portion Pack Organizers



FOB Richfield, Wisconsin 53076

CAD Library

Individual CAD images can be downloaded from our website. We are also a member of The KCL CADalog with more than 100 other manufacturers. Our complete collection of CAD files can be purchased through Kochman Consultants, Ltd. at kclcad.com.

