



PUMPS {SOLUTION™, PLASTIC} FOOD CONTAINER PUMPS

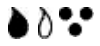
Models PS-10
PS-110, PS-G
PS, CROCK

Date:

Project:

Quantity:

Item Number:



**PS-10
82020**



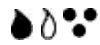
**PS-110
82440**

Bid Description

Server Solution™ pumps are designed to dispense a wide range of products from syrups to some relishes simply by choosing from (3) discharge fittings (included). The polycarbonate pump parts are dishwasher safe and replaceable. Maximum stroke yields 1 ounce (30 mL) with gauging collars supplied to reduce yield in ¼ ounce (7 mL) increments. Pictured jars are not included.

The PS-10 is designed to pump directly from a manufacturer's #10 can or Stainless Steel Jar (94009). Includes polycarbonate pump and stainless steel lid. The PS-110 (82440) is designed to pump directly from a Heinz® Pour Store & Pump Jug. Black plastic lid threads directly onto jug.

PS-G pumps pump directly from a manufacturer's 1 gallon (3.8 L) jar. Choose from 89, 110 or 120 mm. PS, CROCK includes a clear plastic lid that fits directly on a standard 2.7 quart (2.6 L) salad crock.



**PS-G
83090**



**PS, CROCK
85250**

Standard Features

- Durable polycarbonate construction
- Dishwasher safe for easy clean up
- Pump a wide range of products from syrups to relish
- Maximum stroke yields 1 ounce (30 mL)
- Easy-to-adjust portion control in ¼ ounce (7 mL) increments
- (3) discharge fittings to accommodate various food products

Accessory Items

- Stainless Steel Jar 94009
- Stainless Steel Jar, Lid 94008
- Spout-side cleaning brush 82049
- Cylinder-side cleaning brush 82526

WHAT DO YOU DISPENSE?

THIN (syrups) THICK (ketchup/mayo) PARTICULATE (tartar sauce)

Server Solution™ style pumps dispense thin and thick condiments with particulates.



Two Year Warranty

Server Products equipment is backed by a two-year limited warranty against defects in materials and workmanship. For our complete warranty statement, see our website or contact us.

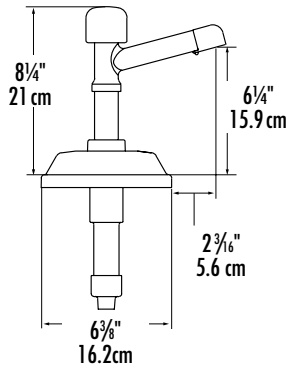
Specifications on reverse side



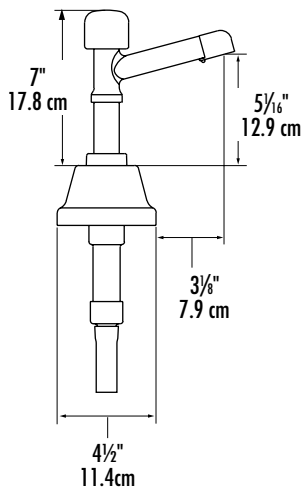
PUMPS {SOLUTION™, PLASTIC} FOOD CONTAINER PUMPS

Models PS-10
PS-110, PS-G
PS, CROCK

#10 Can/Stainless Steel Jar Pump— PS-10



Heinz® Pour Sore & Pump Jug Pump — PS-110



CAD Library

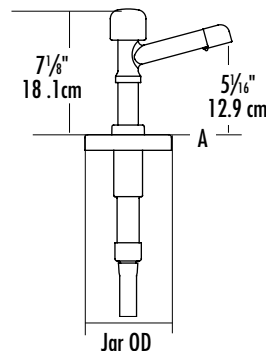
Individual CAD images can be downloaded from our website. We are also a member of The KCL CADalog with more than 100 other manufacturers. Our complete collection of CAD files can be purchased through Kochman Consultants, Ltd. at kclcad.com.

Specifications

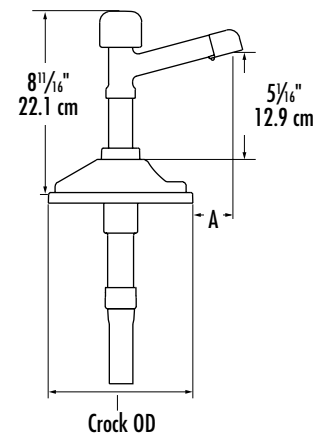
Models	PS-10 82020	PS-110 82440	PS, Crock 85250
Height (above jar)	8 1/4" 21 cm	7" 17.8 cm	8 11/16" 22.1 cm
Lid Dia.	6 3/8" 16.2 cm	4 1/2" 11.4 cm	6 3/4" 17.1 cm
Dim. A	2 3/16" 5.6 cm	3 1/8" 7.9 cm	1 15/16" 5 cm
Capacity	3 quart 2.8 L	1 gallon 3.8 L	2.7 quart 2.6 L
Weight	2 lb (.9 kg)		
Models	PS-G 89 83030	PS-G 110 83090	PS-G 120 83180
Height (above jar)	7 1/8" 18.1 cm	7 1/8" 18.1 cm	7 1/8" 18.1 cm
Fits Jar OD	3 1/2" 8.9 cm	4 3/8" 11.1 cm	4 3/4" 12.1 cm
Dim. A	3 1/2" 8.9 cm	3 1/8" 7.9 cm	2 15/16" 7.5 cm
Capacity	1 gallon (3.8 L)		
Weight	2 lb (.9 kg)		

FOB Richfield, Wisconsin 53076

Gallon Jar — PS-G 89, PS-G 110 & PS-G 120



Salad Crock Pump PS, Crock



Server Products, Inc. • P.O. Box 98 • Richfield, WI 53076 • Toll Free: 800-558-8722
P: 262-628-5600 • F: 262-628-5110 • spsales@server-products.com • server-products.com
Server Products, Inc. reserves the right to modify specifications without obligation. Printed in USA

9-2011 Stock #02072