



Models CC, ECC

## COLD FOOD HOLDERS THERMOELECTRIC CHILLERS, 2-QT (1.9L)



**CC 86070**  
**Countertop Chiller**



**ECC 86063**  
**Dairy Chiller**



ALSO AVAILABLE FOR EXPORT

### **Bid Description**

Both the Countertop and Dairy Chiller are designed with thermoelectric technology to cool up to 2 quarts (1.9 L) of condiments, garnishes or dairy (ECC). Both are constructed of brushed stainless steel with a black thermoset plastic rim and clear plastic lid.

The solid-state cooling method provides quiet operation and holds product below 41° Fahrenheit (5° C) consistently. The anodized aluminum serving vessel is included. An on/off rocker switch controls the cooling mechanism.

Used in conjunction with an auto-frothing attachment, the Dairy Chiller, ECC accepts a hose directly from an espresso machine into a  $\frac{5}{16}$ ths (7.9 mm) hole in the lid.

### **Standard Features**

- Thermoelectric operation assures quiet operation and maximum energy efficiency
- Removable anodized aluminum serving vessel for easy cleanup
- Holds consistently below 41°F (5°C) — to keep your product fresh and cold
- Durable stainless steel and plastic construction
- Clear lid permits monitoring levels without opening
- 7 foot (2.1 m) power cord
- Two quart (1.9 L) capacity

### **Two Year Warranty**

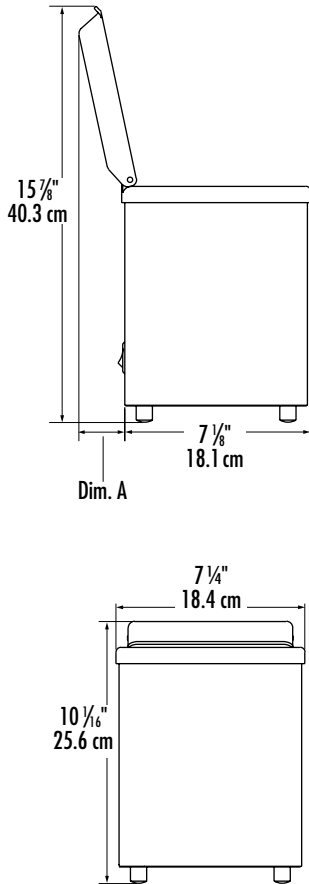
Server Products equipment is backed by a two-year limited warranty against defects in materials and workmanship. For a copy of our complete warranty statement, see our website or contact us.

Specifications on reverse side



# COLD FOOD HOLDERS THERMOELECTRIC CHILLERS, 2-QT (1.9L)

## Chillers



## Specifications

Model	CC 86070			
Construction	Unit is stainless steel and black ABS plastic with a clear plastic lid. Includes removable anodized aluminum serving vessel.			
Capacity	2 quart (1.9 L)			
Dimensions	<u>Height</u>	<u>Width</u>	<u>Depth</u>	<u>Dim. A</u>
	in	10 1/16	7 1/4	7 1/8
	cm	25.6	18.4	18.1
	Height with lid open: 15 7/8" (40.3 cm)			
Electrical	Power supply converts 120V 1 Amp AC to 12V DC power with 7' (2.1 m) power cord. NEMA 5-15P, 15A, 125V PLUG			
Weight	12 lb (5.4 kg) including power supply			
Model	ECC 86063			
Construction	Same as above except: A 5/16ths (7.9 mm) hole in the lid accepts a hose directly from an espresso machine.			

FOB Richfield, Wisconsin 53076

## CAD Library

Individual CAD images can be downloaded from our website. We are also a member of The KCL CADalog with more than 100 other manufacturers. Our complete collection of CAD files can be purchased through Kochman Consultants, Ltd. at [kclcad.com](http://kclcad.com).

