



# PUMPS {POUCHED PRODUCTS} REMOTE DISPENSERS

Model CP-RP

Date:

Project:

Quantity:

Item Number:



**CP-RP 85883** (Left)  
**CP-RP 85885** (Right)



THIN THICK PARTICULATE  
See category tab for details.



## Warranty

Server Products equipment is backed by a two-year limited warranty against defects in materials and workmanship. For our complete warranty statement, see our web site or contact us.

## Bid Description

The sealed, Remote Dispensing System portions condiments in Cryovac® (16 mm fitment) or Volume Pack (38 mm fitment) pouches. For installation into countertops up to 1¾" (4.4 cm) thick.

Stainless steel shroud and pump features captured valve balls and a modified cast valve to form an airtight, sanitary seal with the pouch. Maximum stroke yields 1 ounce (30 mL) with gauging collars provided to reduce portions in 1/8 ounce (3.7 mL) increments. Colored, engraved knobs to identify contents are available upon request.

Product packaging determines pouch support kit. Also choose from (1) or (2) pouches per pump for increased time between product change-outs. All connecting hardware included.

## Standard Features

Undercounter storage of condiments hides large condiment pouches for increased time between product change-outs

Sealed system virtually eliminates cross-contamination possibility

Unit can be removed and cleaned at the dish station

Attaches to Cryovac® (16 mm) or Volume Pack (38 mm) bag fitments; 1½ gallon (6 L) or 3 gallon (12 L)

Durable, stainless steel pump offers superior portion control

1 oz (30 mL) maximum portion, now adjustable in 1/8 ounce (3.7 mL) increments — allows for Portion Optimization™

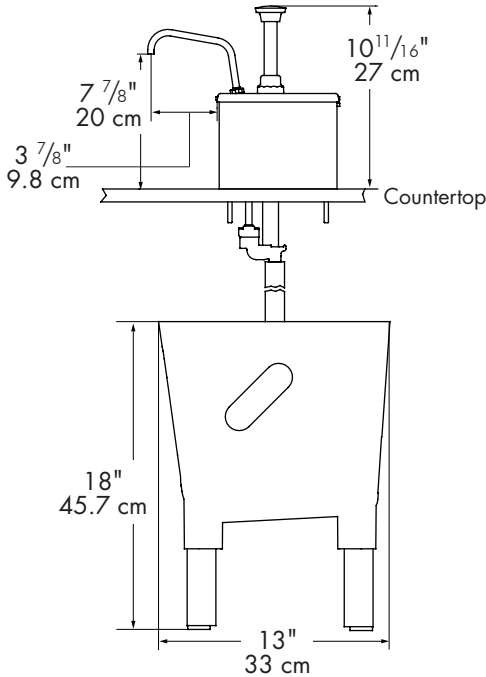
Colored, engraved knobs to identify contents are available upon request. For options, contact our customer service department.



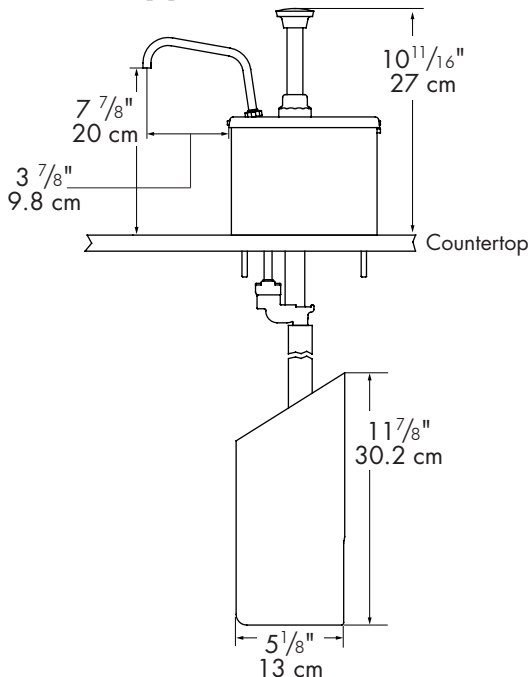
# PUMPS {POUCHED PRODUCTS} REMOTE DISPENSERS

Model CP-RP

## Remote Dispensing System— Volume Pack Fitment & Support



## Remote Dispensing System — Cryovac™ Fitment and Pouch Support



## Specifications

**Construction** Stainless steel pump with cast valve body. Tower and lid are with a brushed #4 finish. Cryovac® pouch support is black plastic; Volume is white.

**Dimensions (Pump & Tower)**

	Height	Width	Depth
in	10 11/16	4 1/2	11 1/2
cm	27	11.4	29.2

**Cutout Dims.** 5 3/8" X 3" (13.7 cm X 7.6 cm)

Models	Cryovac Fitment		Volume Pack Fitment	
	Single 85883	Twin 85884	Single 85885	Twin 85886
<b>Pouch Holder Dims.</b>				
<b>Height</b>	in 11 7/8	in 11 7/8	in 17 7/8	in 17 7/8
	cm 30.2	cm 30.2	cm 45.4	cm 45.4
<b>Width</b>	in 12 1/4	in 12 1/4	in 8 9/16	in 8 9/16
	cm 31.1	cm 31.1	cm 21.7	cm 21.7
<b>Depth</b>	in 5 1/8	in 5 1/8	in 13 1/2	in 13 1/2
	cm 13	cm 13	cm 34.3	cm 34.3
<b>Hose Length</b>	in 42	(1)42 (2)24*	in 42	(1)42 (2)24*
	cm 106.7	cm 106.7, 61	cm 106.7	cm 106.7, 61
<b>Weight</b>	lb 9	lb 11	lb 12	lb 18
	kg 4.1	kg 5	kg 5.4	kg 8.2
<b>Capacity</b>	1 1/2 gal	(2) 1 1/2 gal	3 gal	(2) 3 gal
	6 L	(2) 6 L	12 L	(2) 12 L

\* One vertical hose length of 42" (106.7 cm) forms a "T" to (2) horizontal hoses of 24" (61 cm).

Cryovac® is a registered trademark and a trade name of Cryovac Inc. FOB Richfield, Wisconsin 53076

## CAD Library

Individual CAD images can be downloaded from product pages on our web site. We are also a member of The KCL CADalog with more than 100 other manufacturers. Our complete collection of CAD files can be purchased through Kochman Consultants, Ltd. at [kclcad.com](http://kclcad.com).

