



PUMPS {POUCHED PRODUCT} SLIM EXPRESS™ MULTIPLES

Models SLE-2
SLE-3, SLE-6

Date:

Project:

Quantity:

Item Number:



Bid Description

New Slim Server Express™ multiples have half the capacity of standard Express™ units. Each are constructed of a brushed (#4) finish stainless steel base and lid with five-piece NSF listed plastic pumps. Dispensing levers are black polypropylene.

Capacity is 3 quarts (2.8 L) per pouch. Pumps yield 1 ounce (30 mL) per stroke with portion control to reduce the yield in ¼ ounce (7 mL) increments. Exclusively uses new 3 quart (2.8 L) Cryovac® pouches with fitment.

The Slim Server Express™ is designed to work best with smooth condiments and sauces achieving up to 97% evacuation.



Standard Features

Pump several condiments from one space-saving unit

Countertop unit needs no installation

Holds new 3 quart (2.8 L) size Cryovac® pouches with fitment

NSF Listed pump is quick to breakdown and completely dishwasher safe

Maximum stroke yields 1 ounce (30 mL)

Easy-to-adjust portion control in ¼ ounce (7 mL) increments

Server Express™ Accessories

- Replacement Pump 07537
- Drip Tray Assembly 07291 (Slim Twin)
- Drip Tray Assembly 07324 (Slim Sextuple)



THIN THICK PARTICULATE
See category tab for details.



Warranty

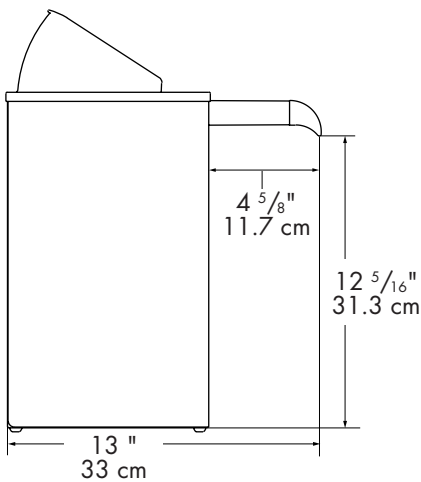
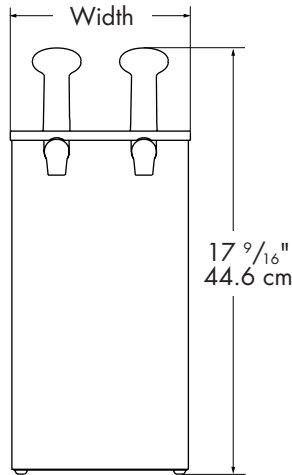
Server Products equipment is backed by a two-year limited warranty against defects in materials and workmanship. For a copy of our complete warranty statement, see our web site or contact us.



PUMPS {POUCHED PRODUCT} SLIM EXPRESS™ MULTIPLES

Models SLE-2
SLE-3, SLE-6

Slim Server Express™



Specifications

Construction Brushed finish stainless steel base and lid, with five-piece, NSF listed plastic pumps and black polypropylene levers.

Capacity 3 quart (2.8 L) per pump section

Models	SLE-2 07520	SLE-3 07530	SLE-6 07540
Height	in 17 ⁹ / ₁₆	in 17 ⁹ / ₁₆	in 17 ⁹ / ₁₆
	cm 44.6	cm 44.6	cm 44.6
Width	in 7 ⁷ / ₁₆	in 11	in 21 ¹³ / ₁₆
	cm 18.9	cm 28	cm 55.4
Depth	in 13	in 13	in 13
	cm 33	cm 33	cm 33
Weight	lb NA	lb NA	lb NA
	kg NA	kg NA	kg NA

Food Product Availability

Contact your food distributor for product availability of the new 3 quart (2.8L) size Cryovac pouch with fitment. Our customer service department is also available for assistance.

Cryovac® is a registered trademark and a trade name of Cryovac Inc. FOB Richfield, Wisconsin 53076

CAD Library

We are a member of The KCL CADalog with more than 100 other manufacturers. Our CAD files can be purchased through Kochman Consultants, Ltd. at 847-470-1195 or e-mail sales@kclcad.com. Their web site is at kclcad.com.

