



COLD FOOD HOLDERS WHIPPED TOPPING CAN COOLERS

Date:

Project:

Quantity:

Item Number:



82846



82847



Bid Description

The Whipped Topping Can Cooler Kit is designed to drop into our Insulated Serving Bar (2-4 jar models) and holds a 14 or 15 oz (.41-.44 l) aerosol can. The kit consists of a deep HOLDCOLD™ fountain jar (black or white), stainless steel insert, and lid. Place topping cans in tip up or tip down. Kit provides easy access to product and greatly reduces quality assurance issues.

HOLDCOLD™ jars are constructed of durable ABS plastic and filled with a non-toxic refrigerant gel. Prior to use, place jar in freezer for (8) hours. HOLDCOLD™ Jars will maintain product at a safe serving temperature for up to (12) hours, when placed in an insulated unit and filled with refrigerated product. Jar color aids change-out schedule for day (white) and night shift (black).

Standard Features

- HOLDCOLD™, Fountain Jar offers extended cooling time
- Jar maintains safe serving temperature for up to (12) hours
- Insert and lid are stainless steel
- Fits Insulated Serving Bars (2-4 jar models)

Accessory Items

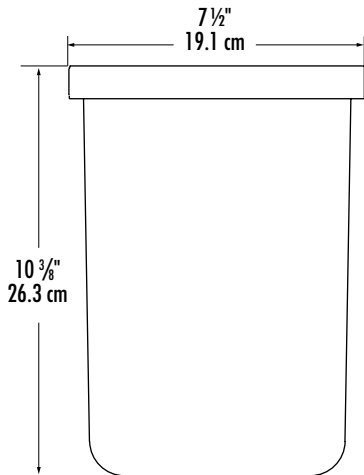
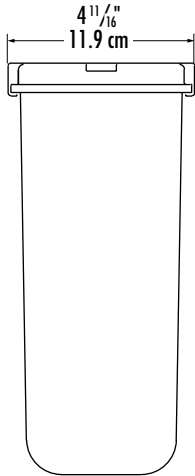
- Black, HOLDCOLD™, Deep Fountain Jar 82632
- White, HOLDCOLD™, Deep Fountain Jar 82633
- 2-Jar (capacity), Countertop Bar 80160
- 3-Jar (capacity), Countertop Bar 83760
- 4-Jar (capacity), Countertop Bar 83600
- 2-Jar (capacity), Drop-in Bar 80150
- 3-Jar (capacity), Drop-in Bar 83830
- 4-Jar (capacity), Drop-in Bar 83620

Specifications on reverse side



COLD FOOD HOLDERS WHIPPED TOPPING CAN COOLERS

Whipped Topping Can Cooler



Specifications

Model	Black Jar Kit 82846 & White Jar Kit 82847		
Construction	Gel-Filled ABS plastic jar with stainless steel insert and lid.		
Capacity	Single 14 or 15-oz (.41-.44 L) aerosol can		
Dimensions	<u>Height</u>	<u>Width</u>	<u>Depth</u>
	10 ³ / ₈ " 26.3 cm	4 ¹¹ / ₁₆ " 11.9 cm	7 ¹ / ₂ " 19.1 cm
Weight	5 lb (2.3 kg)		

FOB Richfield, Wisconsin 53076

CAD Library

Individual CAD images can be downloaded from our website. We are also a member of The KCL CADalog with more than 100 other manufacturers. Our complete collection of CAD files can be purchased through Kochman Consultants, Ltd. at kclcad.com.

Two Year Warranty

Server Products equipment is backed by a two-year limited warranty against defects in materials and workmanship. For a copy of our complete warranty statement, please refer to server-products.com.

