



PUMPS {STAINLESS STEEL} SERVING STATION - COMPACT

Model SS-Compact

Date:

Project:

Quantity:

Item Number:



SS-Compact 67730 (pans included)

WHAT DO YOU DISPENSE?

-  THIN (syrops)
-  THICK (ketchup/mayo)
-  PARTICULATE (tartar sauce)



Two Year Warranty

Server Products equipment is backed by a two-year limited warranty against defects in materials and workmanship. For our complete warranty statement, please see our website.

Bid Description

The Compact Serving Station has a stainless steel base with a brushed (#4) finish to reduce the visibility of fingerprints. Stainless steel pumps feature a cast valve body with captured valve balls to prevent loss. A maximum portion of 1 ounce (30 ml) per stroke can be reduced in 1/8 ounce (3.7 ml) increments with supplied gauging collars. Includes colored pump knobs: Red and Yellow.

Serving Station-Compact comes complete with (2) CP-1/6 83400 pumps and (4) 1/6-size pans, 6" (15.2 cm) deep. Clear hinged lid covers front section with stay-open/self-close settings.

Standard Features

- Stainless steel construction with a brushed finish on base to reduce the visibility of fingerprints
- Clear hinged lid over pans has stay-open/self-close settings
- 1 oz (30 mL) maximum portion, now adjustable in 1/8 oz (3.7 mL) increments — allows for Portion Optimization™

Accessory Items

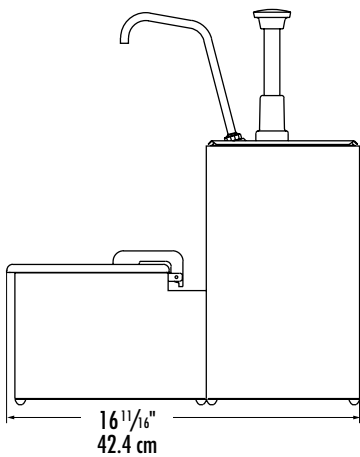
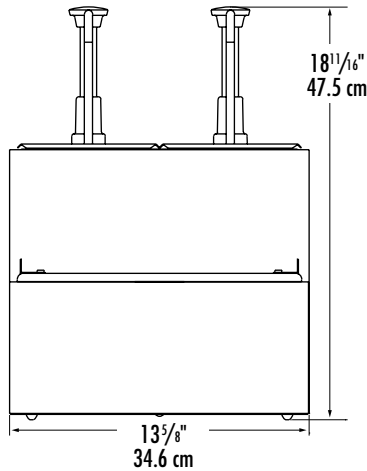
- Stainless Steel Jar 94009
- Storage Lid (for stainless steel jar) 94008
- 1/6-size steam table pan, 6" (15.2 cm) deep 90089
- 1/6-size steam table pan, 4" (10.2 cm) deep 90088
- 1/9-size steam table pan, 4" (10.2 cm) deep 90106



PUMPS {STAINLESS STEEL} SERVING STATION - COMPACT

Model SS-Compact

Serving Station-Compact 67730



Specifications

Model	SS-Compact 67800		
Construction	Stainless steel base with a brushed (#4) finish. Includes (2) CP-1/6 pumps, (4) 1/6-size pans and an acrylic hinged lid.		
Capacity	Each 1/6-size, 6" (15.2 cm) deep pan holds 2.7 quarts (2.6 l).		
Dimensions	<u>Height</u>	<u>Width</u>	<u>Depth</u>
	in 18 11/16	13 5/8	16 11/16
	cm 47.5	34.6	42.4
Ship Weight	23 lb (10.4 kg)		

FOB Richfield, Wisconsin 53076

CAD Library

Individual CAD images can be downloaded from our website. We are also a member of The KCL CADalog with more than 100 other manufacturers. Our complete collection of CAD files can be purchased through Kochman Consultants, Ltd. at kclcad.com.

