



COLD FOOD HOLDERS STAINLESS STEEL PUMP, BAR COMBOS

Models **SB-2, SB-2 DI**
SB-3, SB-3 DI
SB-4, SB-4 DI

Date:

Project:

Quantity:

Item Number:



SB-2 DI 79950

Bid Description

Insulated serving bars are constructed of a stainless steel exterior with a one-piece seamless plastic interior. Serving Bars can be cooled with ice, (1) Eutectic Ice Pack (94141) per jar or our deep fountain HOLDCOLD™ jars (not included).

Pump combination models come complete with multiples of: deep polypropylene fountain jars (82557) and CP-F (83330) pumps. Choose from countertop or drop-in models.

Stainless steel CP-F condiment pumps feature a rugged cast valve body and welded construction. Maximum stroke yields 1 ¼ ounce (37 ml) with gauging collars supplied to reduce yield in 1/8 ounce (3.7 ml) increments.



SB-3 DI 83860

Standard Features

- Stainless steel exterior, seamless plastic interior & insulation
- Maximum stroke yields 1 ¼ oz (37 ml), now adjustable in 1/8 oz (3.7 ml) increments
- Stainless steel hinged lid attaches to lid in a snap
- Colored, engraved knobs are available upon request (contact customer service for options)

Insulated Bar Combos with Pumps

Includes	Countertop	Drop-In
(2) jars	SB-2 79890	SB-2 DI 79950
(3) jars	SB-3 83790	SB-3 DI 83860
(4) jars	SB-4 83700	SB-4 DI 83720



SB-4 83700

Accessory Items

- Fountain Jar, Plastic, 7 ½" (19cm) 82558
- Fountain Jar, Plastic, 10" (25.4 cm) 82557

Two Year Warranty

Server Products equipment is backed by a two-year limited warranty against defects in materials and workmanship. For our complete warranty statement, please refer to server-products.com.

WHAT DO YOU DISPENSE?

THIN (syrops)
 THICK (ketchup/mayo)
 PARTICULATE (tartar sauce)



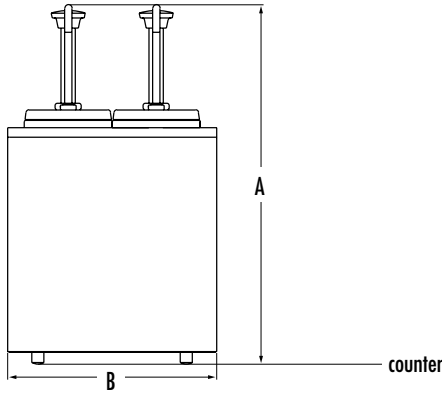
Specifications on reverse side



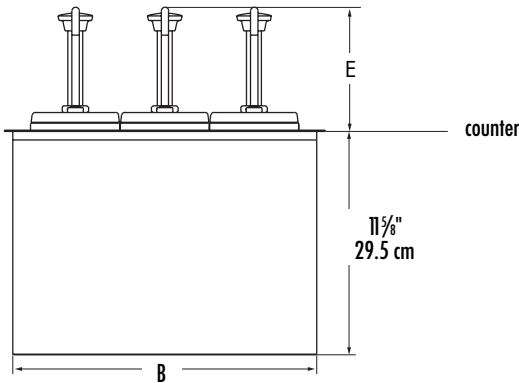
COLD FOOD HOLDERS STAINLESS STEEL PUMP, BAR COMBOS

Models **SB-2, SB-2 DI**
SB-3, SB-3 DI
SB-4, SB-4 DI

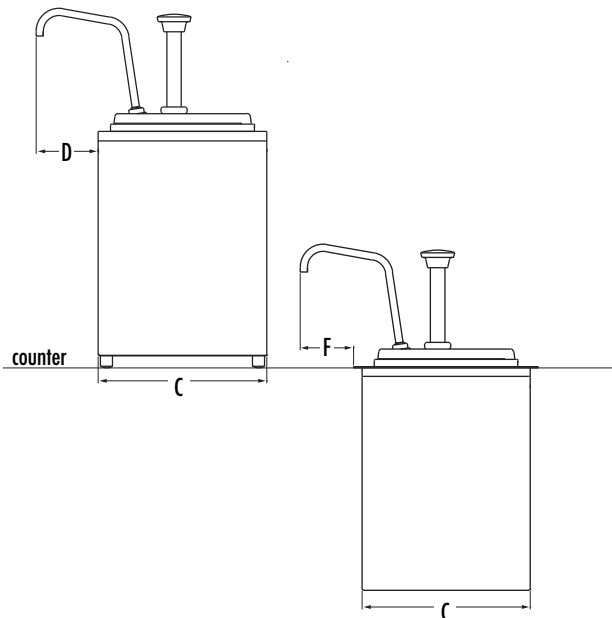
Serving Bar—Countertop



Serving Bar—Drop-In



Serving Bar—Countertop & Drop-in



Specifications

Construction	Stainless steel exterior, seamless plastic interior, and insulation.		
Jar Capacity	Shallow	Deep	HOLDCOLD™
	2 qt 1.9 L	3 1/2 qt 3.3 L	2 1/4 qt 2.1 L
Countertop	(2) Jar	(3) Jar	(4) Jar
A-Height	19 3/8" 49.2 cm	19 3/8" 49.2 cm	19 3/8" 49.2 cm
B-Width	10 7/8" 27.6 cm	15 1/2" 39.4 cm	20 1/8" 51.1 cm
C-Depth	18 13/16" 22.4 cm	18 13/16" 22.4 cm	18 13/16" 22.4 cm
D-Spout (Depth)	3 1/4" 8.3 cm	3 1/4" 8.3 cm	3 1/4" 8.3 cm
Drop-In	(2) Jar	(3) Jar	(4) Jar
E-Height	6 7/16" 16.4 cm	6 7/16" 16.4 cm	6 7/16" 16.4 cm
B-Width	10 7/8" 27.6 cm	15 1/2" 39.4 cm	20 1/8" 51.1 cm
C-Depth	8 13/16" 22.4 cm	8 13/16" 22.4 cm	8 13/16" 22.4 cm
F-Spout (Depth)	2 13/16" 7.1 cm	2 13/16" 7.1 cm	2 13/16" 7.1 cm
Cutout Size			
SB-2 DI	11 x 8 7/8" (27.9 x 22.5 cm)		
SB-3 DI	15 5/8 x 8 7/8" (39.7 x 22.5 cm)		
SB-4 DI	20 1/4 x 8 7/8" (51.4 x 22.5 cm)		

FOB Richfield, Wisconsin 53076

CAD Library

Individual CAD images can be downloaded from our website. We are also a member of The KCL CADalog with more than 100 other manufacturers. Our complete collection of CAD files can be purchased through Kochman Consultants, Ltd. at kclcad.com.

