



COLD FOOD HOLDERS BAR COMBOS, SOLUTION™ PUMPS

Models **SB-2, SB-2DI**
SB-3, SB-3DI
SB-4, SB-4DI

Date:

Project:

Quantity:

Item Number:



SB-2DI #79800



SB-4 #79830

WHAT DO YOU DISPENSE?

THIN (syrops) THICK (ketchup/mayo) PARTICULATE (tartar sauce)

Solution™ style pumps dispense thin and thick condiments with particulates.



Two Year Warranty

Server Products equipment is backed by a two-year limited warranty against defects in materials and workmanship. For a copy of our complete warranty statement, please refer to server-products.com.

Bid Description

Insulated serving bars are constructed of stainless steel exterior with a one-piece seamless plastic interior. Serving Bars can be cooled with ice, (1) Eutectic Ice Pack (94141) per jar or our deep fountain HOLDCOLD™ jars (not included).

Each Solution™ Bar combo comes complete with multiples of polypropylene fountain jars (82557) and polycarbonate PS-F pumps (81910).

Standard Features

- Durable stainless steel exterior with a brushed finish
- Polycarbonate pumps dispense a wide range of products from syrups to some relishes
- Pump parts are dishwasher safe and replaceable
- (3) discharge fittings to accommodate various food products
- Maximum stroke yields 1 oz (30 ml)
- Easy-to-adjust portion control in ¼ ounce (7 ml) increments

Solution™ Serving Bar Combinations

Choose an insulated Serving Bar for countertop or drop-in use. Each come in (2), (3) or (4)-jar models. Polycarbonate Solution™ pumps and deep plastic fountain jars are included.

Includes	Countertop	Drop-In
(2) jars	SB-2 79790	SB-2DI 79800
(3) jars	SB-3 79810	SB-3DI 79820
(4) jars	SB-4 79830	SB-4DI 79840

Accessory Items

- Fountain Jar, Plastic, 7 ½" (19 cm) 82558
- Fountain Jar, Plastic, 10" (25.4 cm) 82557

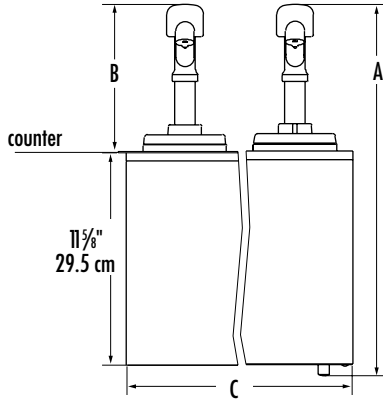
Specifications on reverse side



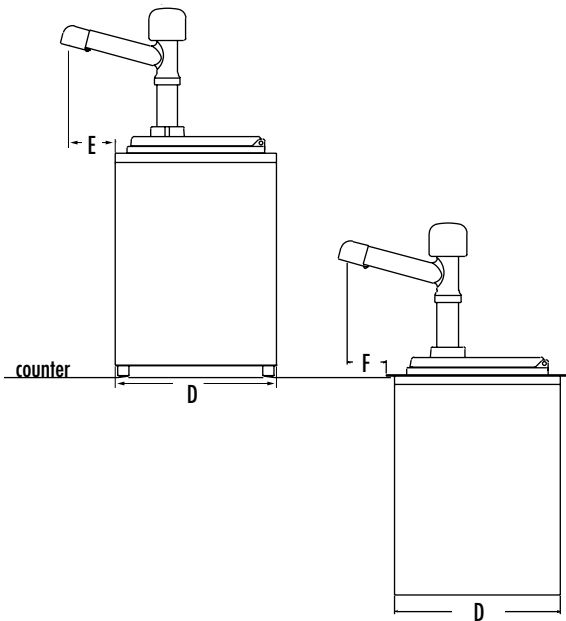
COLD FOOD HOLDERS BAR COMBOS, SOLUTION™ PUMPS

Models **SB-2, SB-2DI**
SB-3, SB-3DI
SB-4, SB-4DI

Drop-in Countertop



Countertop Drop-In



Serving Bar Specifications

Construction	Stainless steel exterior, seamless plastic interior and insulation.		
Jar Capacity	3½ qt (3.3 L)		
Models	(2) Jar	(3) Jar	(4) Jar
A-Height	20 ⁵ / ₁₆ " 51.6 cm	20 ⁵ / ₁₆ " 51.6 cm	20 ⁵ / ₁₆ " 51.6 cm
B-Height (Drop-In)	8 ¹ / ₈ " 20.6 cm	8 ¹ / ₈ " 20.6 cm	8 ¹ / ₈ " 20.6 cm
C-Width	10 ⁷ / ₈ " 27.6 cm	15 ¹ / ₂ " 39.4 cm	20 ¹ / ₈ " 51.1 cm
D-Depth	8 ¹³ / ₁₆ " 22.4 cm	8 ¹³ / ₁₆ " 22.4 cm	8 ¹³ / ₁₆ " 22.4 cm
E-Spout (Depth)	2 ¹ / ₂ " 6.4 cm	2 ¹ / ₂ " 6.4 cm	2 ¹ / ₂ " 6.4 cm
E-Lid (Depth)	2 ¹ / ₁₆ " 5.2 cm	2 ¹ / ₁₆ " 5.2 cm	2 ¹ / ₁₆ " 5.2 cm
Cutout Size			
SB-2 DI	11 x 8 ⁷ / ₈ " (27.9 x 22.5 cm)		
SB-3 DI	15 ⁵ / ₈ x 8 ⁷ / ₈ " (39.7 x 22.5 cm)		
SB-4 DI	20 ¹ / ₄ x 8 ⁷ / ₈ " (51.4 x 22.5 cm)		

FOB Richfield, Wisconsin 53076

CAD Library

Individual CAD images can be downloaded from our website. We are also a member of The KCL CADalog with more than 100 other manufacturers. Our complete collection of CAD files can be purchased through Kochman Consultants, Ltd. at kclcad.com.

