



TOPPING STATIONS FOUNTAIN JAR RAIL COMBOS

Models **SR-1**
SR-2, SR-3
SR-4

Date:

Project:

Quantity:

Item Number:



SR-2 80570



SR-3 80560



SR-4 80550

Bid Description

The non-insulated stainless steel shroud with brushed (#4) finish holds multiple fountain jars in one compact countertop unit.

Ladle combinations come complete with shallow polypropylene fountain jars (82558), sanitary hinged lids (82545) and 1 oz (30 ml) ladles (82562).

Standard Features

- Durable stainless steel with a brushed finish
- Stainless steel hinged lid attaches to jar in a snap
- Ladle slot in fountain jar allows lid to close completely
- Colored, engraved knobs are available upon request (contact customer service for options)

Rail Combinations

Choose a non-insulated rail for your countertop in (2), (3) or (4)-jar models. Jars lids and ladles are included.

<u>Includes</u>	<u>Non-insulated Combo</u>
(2) jars	SR-2 80570
(3) jars	SR-3 80560
(4) jars	SR-4 80550

Accessory Items

- Fountain Jar, Plastic, 7 1/2" (19 cm) 82558
- Ladle, 7" (17.8 cm) Handle 82562
- Lid, Clear Hinged 80310

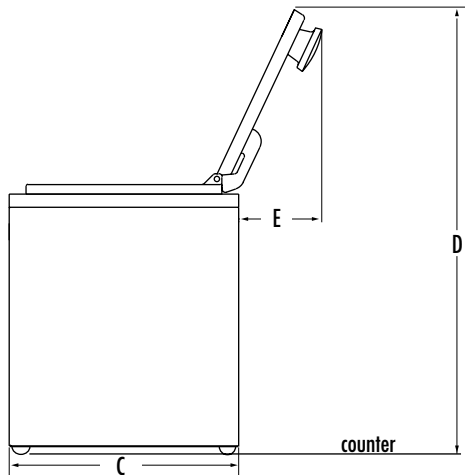
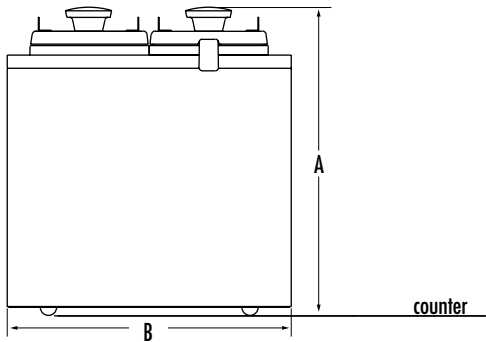




TOPPING STATIONS FOUNTAIN JAR RAIL COMBOS

Models **SR-1**
SR-2, SR-3
SR-4

Countertop Rails



Specifications

Construction | Stainless steel with a brushed (#4) finish.

Jar Capacity	Shallow	Deep
	2 qt	3.5 qt
	1.9 L	3.3 L

Countertop	(2) Jar	(3) Jar	(4) Jar
A-Height	11 ¹³ / ₁₆ " 30 cm	11 ¹³ / ₁₆ " 30 cm	11 ¹³ / ₁₆ " 30 cm
B-Width	10 ⁷ / ₈ " 27.6 cm	15 ¹ / ₂ " 39.4 cm	20 ¹ / ₈ " 51.1 cm
C-Depth	8 ¹³ / ₁₆ " 22.4 cm	8 ¹³ / ₁₆ " 22.4 cm	8 ¹³ / ₁₆ " 22.4 cm
D-Lid (Height)	17 ⁵ / ₁₆ " 44 cm	17 ⁵ / ₁₆ " 44 cm	17 ⁵ / ₁₆ " 44 cm
E-Lid (Depth)	3 ³ / ₁₆ " 8.1 cm	3 ³ / ₁₆ " 8.1 cm	3 ³ / ₁₆ " 8.1 cm

FOB Richfield, Wisconsin 53076

CAD Library

Individual CAD images can be downloaded from our website. We are also a member of The KCL CADalog with more than 100 other manufacturers. Our complete collection of CAD files can be purchased through Kochman Consultants, Ltd. at kclcad.com.

Two Year Warranty

Server Products equipment is backed by a two-year limited warranty against defects in materials and workmanship. For our complete warranty statement, please refer to server-products.com.

